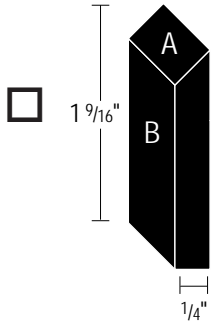


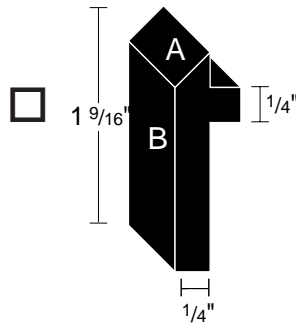
Wilsonart® Custom Edge Profiles - Laminate

Check profile type and specify pattern/finish

Bevel Edge Style - FE, SE



Lengths: 144"
Profile (FE)



Lengths: 144"
Profile (SE)

Available in all Wilsonart® Laminate designs.

Face A.

_____ Pattern/Finish

Face B.

_____ Pattern/Finish

FAX TO: _____

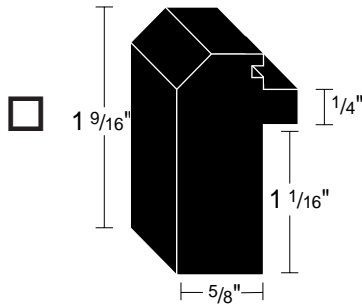
ATTN: _____

AFFIX BUSINESS CARD OR
ADDRESS LABEL HERE

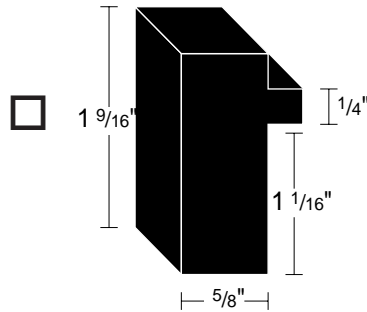
Wilsonart® Custom Edge Profiles - Solid Wood

Check profile type

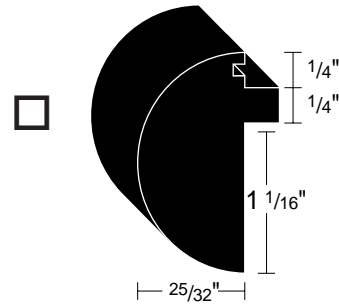
Wood Style - HT-1, HT-11, KT-1



Lengths: 144"
Profile (HT-1) 3/8" Bevel Top



Lengths: 144"
Profile (HT-11) Square



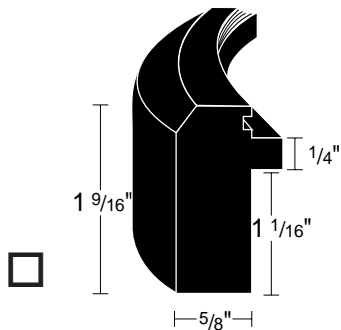
Lengths: 144"
Profile (KT-1)
1 9/16" Half Round

Available Species*: Red Oak Hard Maple

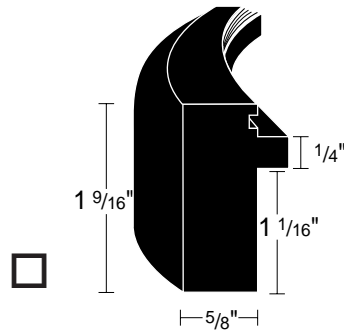
Also available without tongues:

- HN1RO Bevel (Red Oak)
- HN11RO Square (Red Oak)
- KN1HM Half Round (Hard Maple)

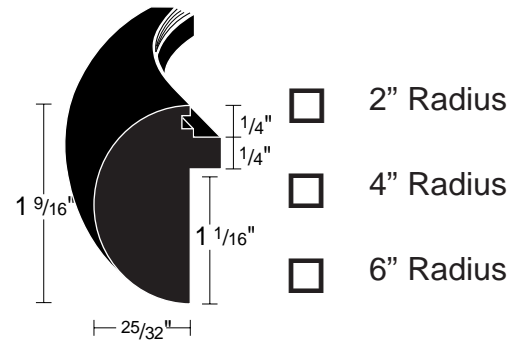
Wood (Rounded Corner) Style - RHT-1, RHT-11, RKT-1



Lengths: 2" radii
Profile (RHT-1) Rounded
Corner 3/8" Bevel Top



Lengths: 2" radii
Profile (RHT-11) Rounded
Corner 3/8" Square Top



Lengths: 2, 4, and 6" radii
Profile (RKT-1) Rounded
Corner 1 1/16" Bevel Top

Available Species*: Red Oak Hard Maple

* Special order species: Cherry, White Oak, White Birch and Black Ash.
Minimum order quantity: 10 each 12' length molding per specie and style.
Lead time: 4 to 6 weeks.
Call your Wilsonart distributor for a price quotation.